



UNIVERSAL ZONE CONTROL

The Universal Solution for Controlling Your Hydronic System

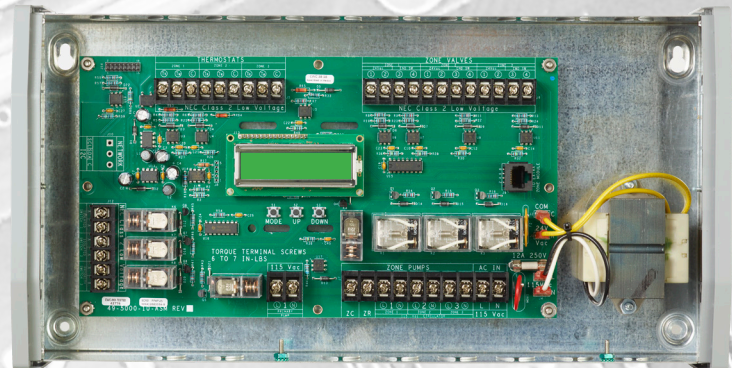
One Control for Zone Valves, Zone Pumps, or Both!

- 3, 4 or 6; zone control - expandable to 15 zones with plug-in expansion modules
- Control pumps, zone valves or both within the same system
- Programmable priority (on/off) for either pumps or zone valves
- Connects to all types of 24 volt zone valves (two, three or four wire)



A Perfect Companion for Condensing Boilers!

- Digital LCD User Display and Programming Interface that maintains programming during power loss
- (3) programmable end switches - allows user to configure zones and matches up with condensing boilers that have multiple XX inputs such as central heating, DHW and low temperature zone
- Thermostat Connection: Tr-Tw-C can be used to power digital Wi-Fi thermostats and power robbing thermostats
- Dedicated 115 V ac Terminal: supplies power to the boiler loop pump for primary/secondary piping systems



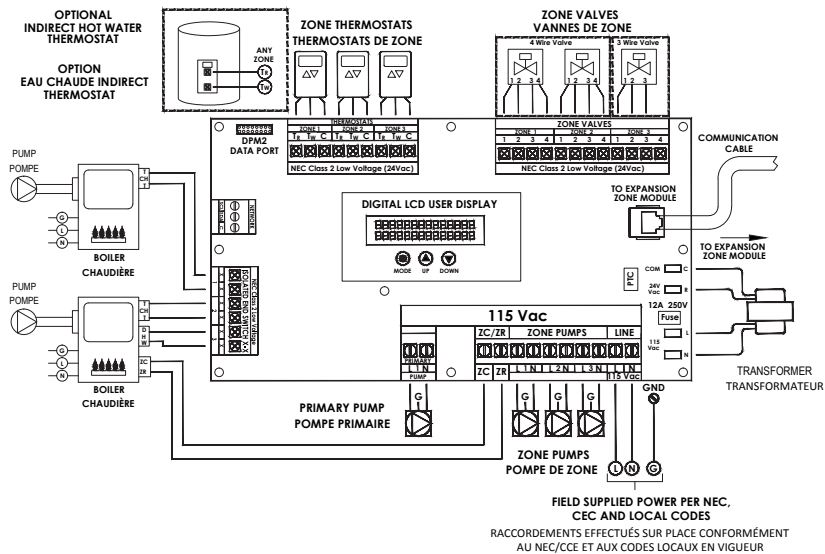
Installation and Service Features!

- Always have the right control on your service truck
- Self-diagnostics provide zone status and error messages in text format
- Installer Test Mode - exercises zones and control functions to confirm operation without engaging the thermostats
- Clearly marked terminals for easy and accurate installation
- Every Control is tested at the factory
- Can be used with all types of boilers including tankless coil models
- Five-year limited warranty

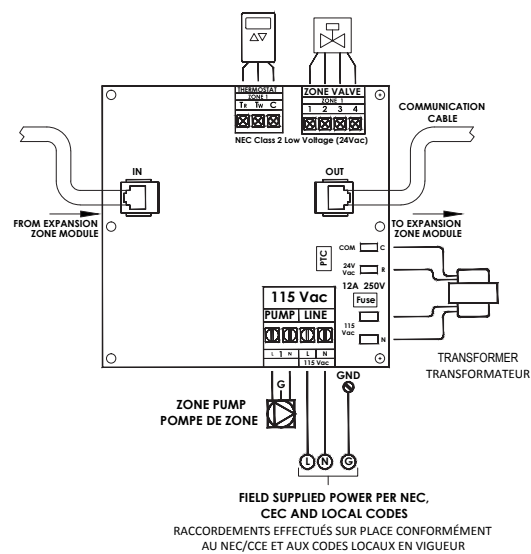


UNIVERSAL ZONE CONTROL

UZ3 UNIVERSAL ZONE CONTROL



EZ1 EXPANSION MODULE, 1-ZONE



Wiring Diagram Notes

- The switching relay terminals are approved for use with copper wires only
- Torque terminal block screws 6 to 7 inch pounds
- When using a two wire zone valve, a jumper wire is required across terminals three and four



Universal Zone Control - Electrical Specifications

Model Number	Zones	Transformer Voltage	Relay Switching Action	Amp Draw	
				Per Zone	Max Total
UZ3	3	120 V/60 Hz/40 VA	SPST	7.2 A	12 A
UZ4	4	120 V/60 Hz/75 VA	SPST	7.2 A	20 A
UZ6	6	120 V/60 Hz/75 VA	SPST	7.2 A	20 A

Expansion Module - Electrical Specifications

EZ1	1	120 V/60 Hz/30 VA	SPST	7.2 A	12 A
EZ3	3	120 V/60 Hz/40 VA	SPST	7.2 A	12 A

Additional Features

- Pump Relay Ratings: 115 V ac - 7.2 Amps
- Programmable Pump Purge: select duration and target zone
- Pump Exercising for 30 seconds: (off, 1 day, 7 days, or 30 days)
- Priority Protection: (off, 30, 45, 60, 75, 90 Minutes)
- ZC/ZR programmable active or inactive - tankless coil boiler
- Plug-in port to connect to Argo DPM-2 outdoor reset control
- Power Monitoring with:
 - High Volt Circuit - Over current protection with replaceable fuse
 - High Volt Circuit - Brown out, transient and surge protection - auto reset
 - Low Volt Circuit - Over current protection - auto reset

