



Installation, Operation and Service Manual

Conforto Electric Furnace

KHE 10 TO 27kW



INSTALLATIONS MUST MEET ALL LOCAL AND FEDERAL CODES THAT MAY DIFFER FROM THIS MANUAL

Please read the manual in its entirety before beginning installation. This manual must be kept with the furnace for future reference. For maintenance or question, please refer to your installer – contractor directly.

TABLE OF CONTENTS

1.0	IMPORTANT SAFETY ADVICE	3
2.0	PRODUCT INFORMATION	3
	INSTALLATION OVERVIEW	4
	INSPECTION	4
3.0	INSTALLATION	4
	GENERAL	4
	SELECTING A LOCATION	5
	CLEARANCES TO COMBUSTIBLE MATERIALS	6
	AIR FILTERS	6
4.0	ELECTRICAL CONNECTIONS	6
	HIGH VOLTAGE CONNECTIONS	6
	FAN MOTOR CONNECTIONS	6
	LOW VOLTAGE CONNECTIONS	7
5.0	PANEL DISPLAY, SWITCHES AND CIRCUIT BREAKER	7
	LED INDICATIONS	7
	OPERATION OPTIONS DIP SWITCHES 1, 2, 3 AND 4 (REFER TO WIRING DIAGRAM ON PAGE 13)	8
	OPERATION OPTIONS DIP SWITCHES A, B, C	8
	OPERATION OPTION DIP SWITCH D - QUIET COMFORT FEATURE	8
	DEICING MODE (WITH HEAT PUMP ONLY)	8
	CIRCUIT BREAKERS	8
	COMFORTMAX MODE	9
6.0	TECHNICAL INFORMATION	10
	KHE SERIES WITH 230V PSC MOTOR	10
	KHE SERIES WITH ECM ECOTECH MOTOR	11
7.0	HEATING OUTPUT RATES BY STAGES	12
8.0	COMMISIONING CHECKLIST	12
9.0	KHE SERIES ELECTRICAL DIAGRAMS	13
10.0	EXPLODED VIEW KHE (SPARE PARTS)	14

1.0 IMPORTANT SAFETY ADVICE

Please read and understand this manual before installing, operating or servicing the furnace. To ensure you have a clear understanding of the operation of the unit please take the time to read the **IMPORTANT SAFETY ADVICE** section of this manual.

WARNING – BASIC SAFETY WARNINGS

KNOW the location of the emergency disconnect switch for the unit.

EXAMINE the package before installation to ensure it did not get damaged during shipping.

ENSURE that the unit is connected to a properly sized duct system before controller is powered. Failure to do so will result in damage to the heating elements, voiding the warranty.

WARNING – BEST PRACTICES FOR OPTIMAL OPERATION

DO NOT ATTEMPT DO INSTALL YOURSELF OR MAKE ANY REPAIRS IF YOU ARE NOT A QUALIFIED TECHNICIAN, CALL A QUALIFIED HEATING TECHNICIAN.

DANGER

Do not use this furnace as a construction heater. Use of this furnace as a construction heater exposes it to abnormal conditions, contaminated circulating air and air filtering. Failure to follow this warning can lead to premature furnace failure which could result in a fire hazard and/or bodily harm and/or material damage and will void its manufacturer's warranty.

IMPORTANT

This manual is intended to inform the installer of installation, operation and maintenance procedures for trouble free operation of the Conforto KHE electric furnace. It is essential that the service technician carefully reads this manual to fully understand the furnace and its installation, operation and maintenance procedures before servicing the furnace or the heating system as operating procedures may vary depending on furnaces manufacturers. The Conforto KHE electric furnace is designed and manufactured with quality components for maximum life expectancy, durability and requires minimum maintenance and service. To ensure a satisfactory installation, it is imperative that the instructions in this manual be followed carefully before operating the heating system. Failure to do so may result in breach of warranty.

2.0 PRODUCT INFORMATION

The Conforto KHE warm air electric furnace is a multi-positional design allowing for an installation in the up flow, down flow or horizontal flow positions. This appliance may be used with a central heat-pump or central cooling system.

INSTALLATION OVERVIEW

Install this appliance in accordance with these instructions and all national and local building/safety codes and requirements.

Only connect this furnace to a duct system with a maximum static pressure of 0.50" W.C. Static pressures in excess will result in reduced air flow and potential elevated discharge air temperatures during heating cycles and reduced discharge air temperatures during cooling cycles.

Do not operate this furnace without both supply and return air ducts installed with air filters in place or with less than 0.20" W.C, external static pressure.

INSPECTION

As soon as you receive this unit, unpackage and inspect it thoroughly to ensure that no damage has resulted during the shipping process.

3.0 INSTALLATION

General

These furnaces must be properly installed in compliance with all national and local safety standard codes. This appliance requires 240Vac single phase, 60Hz voltage.

The supply power lead shall enter the control enclosure of the furnace through the knockout provided on the right-hand side of the furnace. This will ensure the required separation between the low voltage and high voltage leads.

Knockouts are provided for 120Vac and 24Vac connections for humidifiers and electronic air cleaners on both sides of the furnace.

Always ensure that the installation protects all electrical components from exposure to water. Attention must be given to the placement of A/C coils and drains.

A non-combustible base is needed for counter flow installations on combustibles floors. Adequate access must be provided at the front of this furnace for service.

ATTENTION: the front of the appliance must always remain accessible to allow maintenance and service.

For horizontal installations, it is recommended to use steel angle support brackets with threaded rods supporting the unit from the bottom. Refer to Figure 1.

Due to the hazardous nature of electrical and mechanical requirements only trained and qualified personnel should install and service heating and cooling equipment.

WARNING

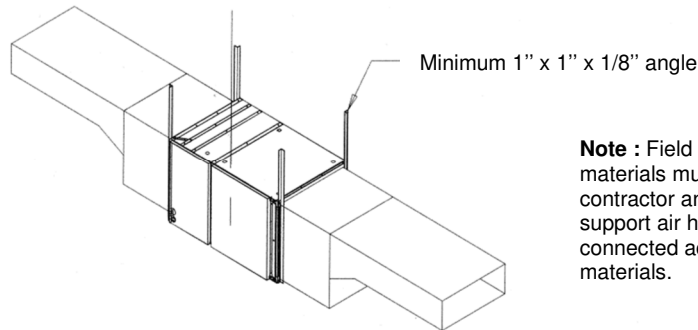
It is important to check airflow and make sure that the furnace does not operate above the temperature rise specified in the specifications, Section 6. This is particularly important if a cooling or heat pump coil has been installed. High limit thermal protectors should never engage during normal operation of the furnace. The high limit protectors are designed to engage during the improper functioning of the blower or when the air filter has not been kept clean.

Fig 1
Horizontal Installation

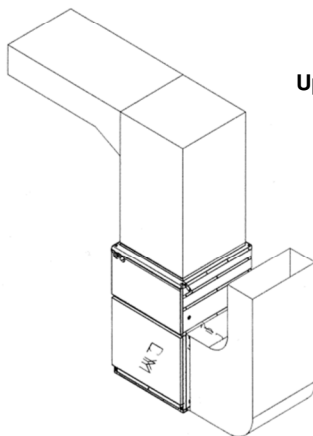
Note : Return air opening must be cut out to knockouts provided. Minimum return air opening size, 18" X 18"

Caution : Return air openings shall not be installed in back panel.

Supply air plenum must be constructed of suitable materials and sized by installing contractor so as to be of sufficient strength to support furnace and accessory fittings and materials.

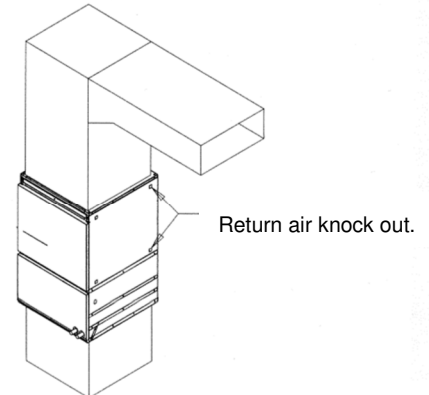


Note : Field selected suspension materials must be sized by the installing contractor and be of sufficient strength to support air handler weight of 100 lbs and connected accessory fittings and materials.



Upflow Installation

Counterflow Installation



Selecting a location

This furnace shall be centrally located in relation to the outlet registers. All ductwork shall be suitably sized with external static pressure in mind to ensure adequate air distribution.

These furnaces are suited for vertical up flow, down flow and horizontal installations. This furnace shall not be installed on its front or back. To install this unit on its front or back would result in inadequate access for servicing. Always ensure that when suspending this furnace that suitable structural support is available and provides adequate access to the control and fan compartments for service.

Clearances to combustible materials

The Furnace - The furnace is approved for zero clearance to combustible materials regardless of the heating capacity. It is recommended that 24" (60cm) be provided at the front of the furnace for clear access for servicing.

Supply Air Ducts - Supply ducts for furnaces with a heating capacity up to and including 20kW may be installed with 0" (0 cm) clearance to combustibles. Heating ducts for furnaces with heating capacities greater than 20kW must have a 1" (25 mm) clearance to combustibles for the first 36" (91.4 cm) of duct. Thereafter the clearance can be 0" (0 cm).

Duct connections to the furnace - The duct connection to the furnace is a critical aspect to ensure the satisfactory performance of this furnace. To reduce the transmission of noise and vibrations it is recommended to use non-flammable flexible isolation collars. Correct duct sizing and installation methods will ensure proper airflow providing comfortable balanced delivery of the air. All duct work should be designed, fabricated and installed in accordance with all national and/or local codes.

Air Filters

Included with this furnace is a 20" x 20" x 1" disposable air filter and supporting filter rack. This filter rack shall be secured to the furnace casing on either side or the bottom. Do not install this filter rack on the front or back of the furnace, doing so will result in inadequate air flows. When cutting the return air opening in the furnace casing, use the square knockouts in the side and bottom panels as reference. This will provide a free area opening of 18" x 18". The use of pleated filters is not recommended unless sized to suit the airflow requirements for the installation. Pleated air filters tend to increase total system static pressures. This may result in reduced airflow. As a result, the heating elements may operate at increased temperatures resulting in an overheat situation. Airflow reductions may also occur during cooling cycles resulting in unacceptably low delivered air temperatures.

4.0 ELECTRICAL CONNECTIONS

HIGH VOLTAGE CONNECTIONS

Line power 240Vac single phase 60Hz must be brought into the furnace control compartment via the knockout provided on the right hand or left hand side of the furnace. The use of any other entry point may result in the high voltage leads encountering low voltage circuit components resulting in potentially hazardous conditions. Power lines must be connected to the furnace main terminal block.

Refer to Section 6 to determine proper wire sizing. A ground connection is provided in this compartment. Always ensure that the ground circuit is installed to meet the requirements of all local and national codes.

Fan motor connections

All furnaces are provided with multi speed direct drive PSC or ECM motors. Furnaces up to and including 23kW outputs are provided with 1/3hp PSC or 1/2hp ECM, 5 speed motors. 27kW furnaces are provided with 3/4hp 5 speed motors. Only 3 speeds are connected to the controller (the 4th and 5th speed motor lead is not connected.)

Low voltage connections

Contained within the control enclosure is the low voltage transformer. This is 240Vac primary with 24Vac secondary, 40VA class 2 transformer. It provides power to the furnace controller, thermostat, A/C or heat pump compressor relay and 24Vac external devices. Always ensure that:

- The load imposed by external devices does not exceed 40 VA (1A);
- The low voltage wires connected to the board (on the front of the unit) **do not make contact with the cabinet.**

Low Voltage Control Connections

Terminal	Description	Purpose
G	THERMOSTAT INPUT	FAN ON
W	THERMOSTAT INPUT	STAGE 1 ELECTRIC HEATING
W2	THERMOSTAT INPUT	STAGE 2 ELECTRIC HEATING
R	OUTPUT TO THERMOSTAT ONLY	24Vac GENERAL POWERING OF THE THERMOSTAT
Y/Y1	THERMOSTAT INPUT	STAGE 1 AC/HP COMPRESSOR
Y2	THERMOSTAT INPUT	STAGE 2 AC/HP COMPRESSOR
C	OUTPUT TO THERMOSTAT	24Vac COMMON

5.0 PANEL DISPLAY, SWITCHES AND CIRCUIT BREAKER

LED Indications

Located in the upper front right-hand side of the furnace is the multi-color indicating LED light.

No LED: No power - Check Circuit Breaker.

Solid Red LED - Fault.

Solid Green - Standby Mode.

Solid Amber - Furnace in Quiet Comfort Mode.

1 Green Flash, Pause - STAGE 1 ELECTRIC HEATING

2 Green Flashes, Pause - STAGE 2 ELECTRIC HEATING

3 Green Flashes, Pause - FAN ON

1 Green Flash, 1 Amber Flash, Pause - HEATING & HP COMPRESSOR - DEICING MODE

1 Amber Flash, Pause - STAGE 1 AC/HP COMPRESSOR

2 Amber Flashes, Pause - STAGE 2 AC/HP COMPRESSOR

1 Red, 1 Green Flash, Pause - Input Error on W and W2 Terminals

1 Red, 1 Amber Flash, Pause - Input Error on Y and Y2 Terminals

Should the LED display RED, this may be an indication that the positions of the DIP switches have either been changed or that the control board itself has failed. Make sure the DIP switches positions are correct and fully seated (details on next page). Reset power and if the LED remains constant Red, a qualified service technician should inspect the appliance.

Operation options DIP switches 1, 2, 3 and 4 (refer to wiring diagram on page 13)

DIP switches position settings:

DIP 1: Must be set to OFF

DIP 2: Must be set to OFF

DIP 3 set to OFF: No HP coil or HP coil in return

DIP 3 set to ON: HP Coil in supply (Default)

DIP 4: Must be set to OFF

Operation options DIP switches A, B, C

These switches are used to select the correct kW/H output of the furnace. See chart below.

BTU SETTING TABLE (DIP OPTION SWITCHES)							
DIP	5KW	10KW	15KW	18KW	20KW	23KW	27KW
A	OFF	ON	OFF	ON	OFF	ON	OFF
B	OFF	OFF	ON	ON	OFF	OFF	ON
C	OFF	OFF	OFF	OFF	ON	ON	ON

Operation option DIP switch D - Quiet Comfort Feature

When the Quiet Comfort Feature has been activated at DIP switch D and the continuous circulation fan switch is in the ON position, the LED light on the front of the furnace will flash AMBER. This feature will activate one of the heating elements at 50% of its capacity for a maximum period of three (3) hours unless a call for heat is made by the thermostat, which will reset the three (3) hour timer. The feature allows for preheated continuous circulating air to provide added comfort in the home.

Deicing mode (with heat pump only)

When this unit is installed in accordance with a heat pump unit. While the heat control enters its deicing cycle, depending on the position of DIP Switch 3 (explained above in the DIP Switches Position Settings) the furnace control will activate one or more electric elements to generate heat to mitigate the cooling of circulating air caused by the heat pump deicing cycle.

Circuit breakers

The 16A furnace mounted circuit breaker on the front of the appliance provides fan motor over amp protection. This circuit protection only applies to the fan motor.

The higher amperage heating element circuit breaks provide overload circuit protection in the event one or more of the heating elements should fail. Should this happen, one or more of the circuit breakers will trip to the off position. Do not attempt to reset the breaker or access the control panel. Call a licensed servicing contractor immediately.

Warning

Do not use these circuit breakers the power off to the furnace. Prior to removing any of the furnace access panels ensure that the power has been safely turned off at the main electrical disconnect switch.

ComfortMAX Mode

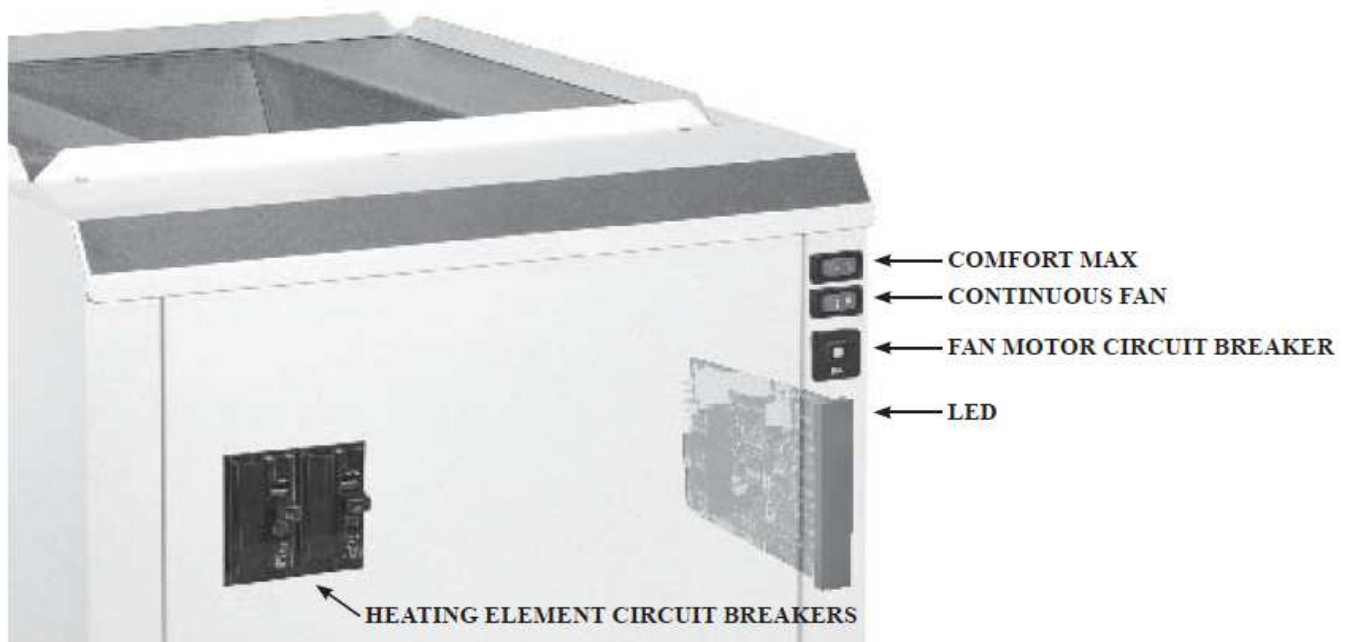
The *ComfortMax* exclusive feature is designed to provide automatic system kW/H output sizing when operated by a single stage thermostat. When using a 2 stages thermostat, the 2nd stage of the thermostat heat call takes priority. To activate The *ComfortMax* feature, set the *ComfortMax* switch on the furnace to ON. This will provide automatic kW/H output of the furnace up to the maximum output of the furnace.

ComfortMax is a unique feature of the Conforto KHE electric furnace control. Using a single-stage heating thermostat, the furnace control will determine the ideal number of elements to engage during each heating cycle. Comfort is maximized by ensuring that the perfect level of heat is supplied to satisfy the call for heat in regular intervals. On the coldest of days all available heating elements will be activated, but on those milder days only a few will come on, thus finding the perfect balance between energy use and homeowner comfort.

The *ComfortMax* option for heating is selected by a switch on the front panel of the appliance. When the switch is activated during a call for heat the control will only activate the number of elements that are estimated to be needed to satisfy the call for heat within a 13 to 18-minute period. If the call for heat is satisfied in less than 13 minutes the number of heating elements activated during the next cycle will be reduce by one. If the last heat cycle has been activated for more than 18 minutes an additional heating element will be energized and this number of elements will be energized during the next heating cycle.

If the heating cycle is still not satisfied after 23 minutes, then all remaining heating elements are energized and a further heating element is added to the next heating cycle.

Fig 3



6.0 TECHNICAL INFORMATION

KHE SERIES WITH 230V PSC MOTOR						
MODEL NUMBER	KHE-01-G010-03	KHE-01-G015-03	KHE-01-G018-03	KHE-01-G020-03	KHE-01-G023-03	KHE-01-G027-05
POWER, total (kW)	10	15	18	20	23	27
POWER, first stage (kW)	5	10	9	10	15	15
OUTPUT – BTU/h	34140	51216	61460	68288	78530	92190
Temperature rise – range °F ****	30-45	45-60	55-75	60-80	65-80	50-80
ELECTRICAL						
ELEMENT NO. 1 (kW/h)	5	5	5	5	5	5
ELEMENT NO. 2 (kW/h)	5	5	4	5	5	5
ELEMENT NO. 3 (kW/h)	-	5	5	5	5	5
ELEMENT NO. 4 (kW/h)	-	-	4	5	4	4
ELEMENT NO. 5 (kW/h)	-	-	-	-	4	4
ELEMENT NO. 6 (kW/h)	-	-	-	-	-	4
HEATING ELEMENT AMPS	40	60	80	89	92	108
TOTAL AMPS	42	62	82	91	94	114
MINIMUM CIRCUIT AMPS	60	85	100	110	125	150
BREAKER SIZE AMPS (MAX) ***	60	90	100	125	125	150
WIRE SIZE (AWG)**	4	4	3	3	2	1
MOTOR			1/3 HP - 3 speeds			3/4 HP - 4 speeds
MOTOR VOLTAGE / AMPS.			230V - 1.9A			230V - 5.8A
BLOWER DATA			(Factory adjusted to 0.5 E.S.P.)			
BLOWER SPEED @ 0.50" E.S.P.	MED	MED	MED	MED	HIGH	MED
BLOWER SPEED @ 0.20" E.S.P.	MED	MED	MED	MED	HIGH	MED
NOM. BLOWER SIZE (dia. x width)	10 x 8					12 x 10
GENERAL INFORMATION						
DIMENSIONS (W x D x H)				20" x 21" x 36"		
WARM AIR PLENUM				15" x 18"		
RETURN AIR PLENUM				18 1/2" x 18 1/2"		
AIR FILTER – 1 SUPPLIED				20" x 20" x 1"		
SHIPPING WEIGHT				48 KG (105lbs.)		
MAXIMUM COOLING CAP.				up to 3 tons		up to 5 tons

**** Adjust blower speed or plenum restriction to generate temperature rise within specified range.

*** Suggested circuit breaker or fuse size only, check with local codes for proper circuit breaker or fuse sizing.

** Suggested wire size only, check with local codes for proper wire sizing.

Airflow (CFM) - 10 x 8 Blower with 1/3 PSC motor

Blower Speed	Motor Wire Color	External Static Pressure				
		0.2	0.3	0.4	0.5	0.6
HIGH, Black	BLACK	1100	1050	1000	950	875
MEDIUM, Blue	BLUE	925	875	850	825	775
LOW, Red	RED					

Airflow (CFM) - 12 x 10 Blower with 3/4 PSC motor

Blower Speed	Motor Wire Color	External Static Pressure				
		0.2	0.3	0.4	0.5	0.6
HIGH	BLACK	1775	1725	1650	1600	1550
MED-HIGH	YELLOW	1600	1575	1550	1500	1450
MEDIUM	BLUE	1450	1425	1400	1350	1325
LOW	RED					

Note: Maximum discharge air temperature: 93°C (200°F)

KHE SERIES WITH ECM ECOTECH MOTOR						
MODEL NUMBER	KHE-01-G010-H3	KHE-01-G015-H3	KHE-01-G018-H3	KHE-01-G020-H3	KHE-01-G023-H3	KHE-01-G027-H5
POWER, total (kW)	10	15	18	20	23	27
POWER, first stage (kW)	5	10	9	10	15	15
OUTPUT – BTU/h	34140	51216	61460	68288	78530	92190
Temperature rise – range °F ****	25-55	35-80	45-75	50-80	55-80	55-80
ELECTRICAL						
ELEMENT NO. 1 (kW/h)	5	5	5	5	5	5
ELEMENT NO. 2 (kW/h)	5	5	4	5	5	5
ELEMENT NO. 3 (kW/h)	-	5	5	5	5	5
ELEMENT NO. 4 (kW/h)	-	-	4	5	4	4
ELEMENT NO. 5 (kW/h)	-	-	-	-	4	4
ELEMENT NO. 6 (kW/h)	-	-	-	-	-	4
HEATING ELEMENT AMPS	40	60	80	89	92	108
TOTAL AMPS	44	64	84	93	97	114
MINIMUM CIRCUIT AMPS	60	85	100	110	125	150
BREAKER SIZE AMPS (MAX) ***	60	90	100	125	125	150
WIRE SIZE (AWG)**	4	4	3	3	2	1
MOTOR						
	1/2 HP - 5 speeds					3/4 HP - 5 speeds
MOTOR VOLTAGE / AMPS.	230V - 3.9A					230V - 5.2A
BLOWER DATA						
	(Factory adjusted to 0.50" E.S.P.)					
BLOWER SPEED @ 0.50" E.S.P.	M-LOW	M-LOW	MED	MED	M-HIGH	M-HIGH
BLOWER SPEED @ 0.20" E.S.P.	M-LOW	M-LOW	MED	MED	M-HIGH	M-HIGH
NOM. BLOWER SIZE (dia. x width)	10 x 8					12 x 10
GENERAL INFORMATION						
DIMENSIONS (W x D x H)	20" x 21" x 36"					
WARM AIR PLENUM	15" x 18"					
RETURN AIR PLENUM	18 1/2" x 18 1/2"					
AIR FILTER – 1 SUPPLIED	20" x 20" x 1"					
SHIPPING WEIGHT	48 KG (105lbs.)					
MAXIMUM COOLING CAP.	up to 3 tons					up to 5 tons

**** Adjust blower speed or plenum restriction to generate temperature rise within specified range.

*** Suggested circuit breaker or fuse size only, check with local codes for proper circuit breaker or fuse sizing.

** Suggested wire size only, check with local codes for proper wire sizing.

Airflow (CFM) - 10 x 8 Blower with 1/2 ECM Ecotech Motor

Blower Speed	Motor Wire Color	External Static Pressure				
		0.2	0.3	0.4	0.5	0.6
HIGH	BLACK	1275	1250	1225	1200	1150
MED-HIGH	YELLOW	1050	1025	1000	975	950
MEDIUM	BLUE	900	875	850	825	800
MED-LOW	ORANGE	700	675	625	600	575
LOW	RED					

Airflow (CFM) - 12 x 10 Blower with 3/4 ECM Ecotech Motor

Blower Speed	Motor Wire Color	External Static Pressure				
		0.2	0.3	0.4	0.5	0.6
HIGH	BLACK	1575	1550	1500	1475	1450
MED-HIGH	YELLOW	1275	1250	1200	1175	1150
MEDIUM	BLUE	1150	975	925	900	850
MED-LOW	ORANGE	875	825	775	725	675
LOW	RED					

Note: Maximum discharge air temperature: 93°C (200°F)

7.0 HEATING OUTPUT RATES BY STAGES

Figure 4

Furnace Model Voltage	Stage 1		Stage 2		Stage 1 + 2	
	W1 BTU Output	W2 BTU Output	W1 BTU Output	W2 BTU Output	W1 + W2 BTU Output	W1 + W2 BTU Output
Power	Total Heat		Total Heat		Total Heat	
	208	240	208	240	208	240
10kW	12975	17072	-	17072	25950	34144
15kW	25950	34144	12975	17072	38925	51216
18kW	20760	27315	25950	34144	46710	61460
20kW	25950	34144	25950	34144	51890	68288
23kW	25950	34144	33734	44387	59682	78530
27kW	25950	34144	44114	58045	70064	92190

8.0 COMMISIONING CHECKLIST

Ensure the following things:

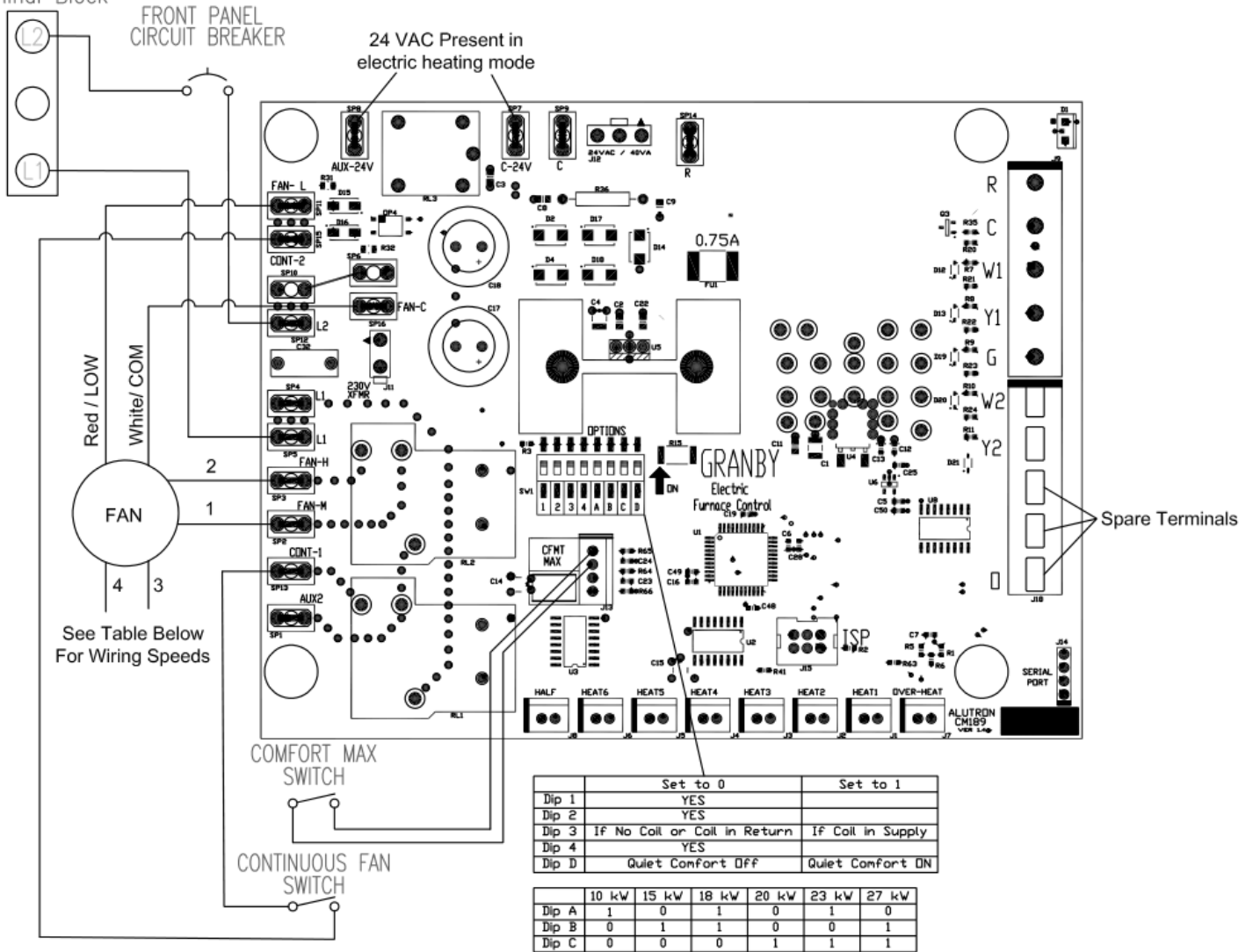
- 1) Thermostat is not connected to controller
- 2) AC/HP compressor is connected.
- 3) Ground is securely connected at furnace ground lug and main panel.
- 4) Incoming power lines are connected and secure at main terminal block.
- 5) Continuous fan switch is set to OFF
- 6) *ComfortMax* switch on furnace side panel is set to OFF.

Sequence:

- 1) a) Install a jumper across thermostat terminals R and W1 on control board terminal strip.
Heating cycle starts and fan turns on.
- b) Allow this cycle to turn on all elements.
- c) Remove jumper.
All elements turn OFF.
- 2) Place a jumper across R, Y/Y2 & G, fan starts on Cool speed and compressor starts.
- 3) Remove jumper, fan cycles down and compressor stops.
- 4) Power furnace down, connect thermostat, turn power to furnace on.

9.0 KHE SERIES ELECTRICAL DIAGRAMS

Terminal Block

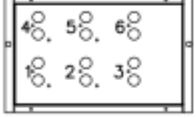


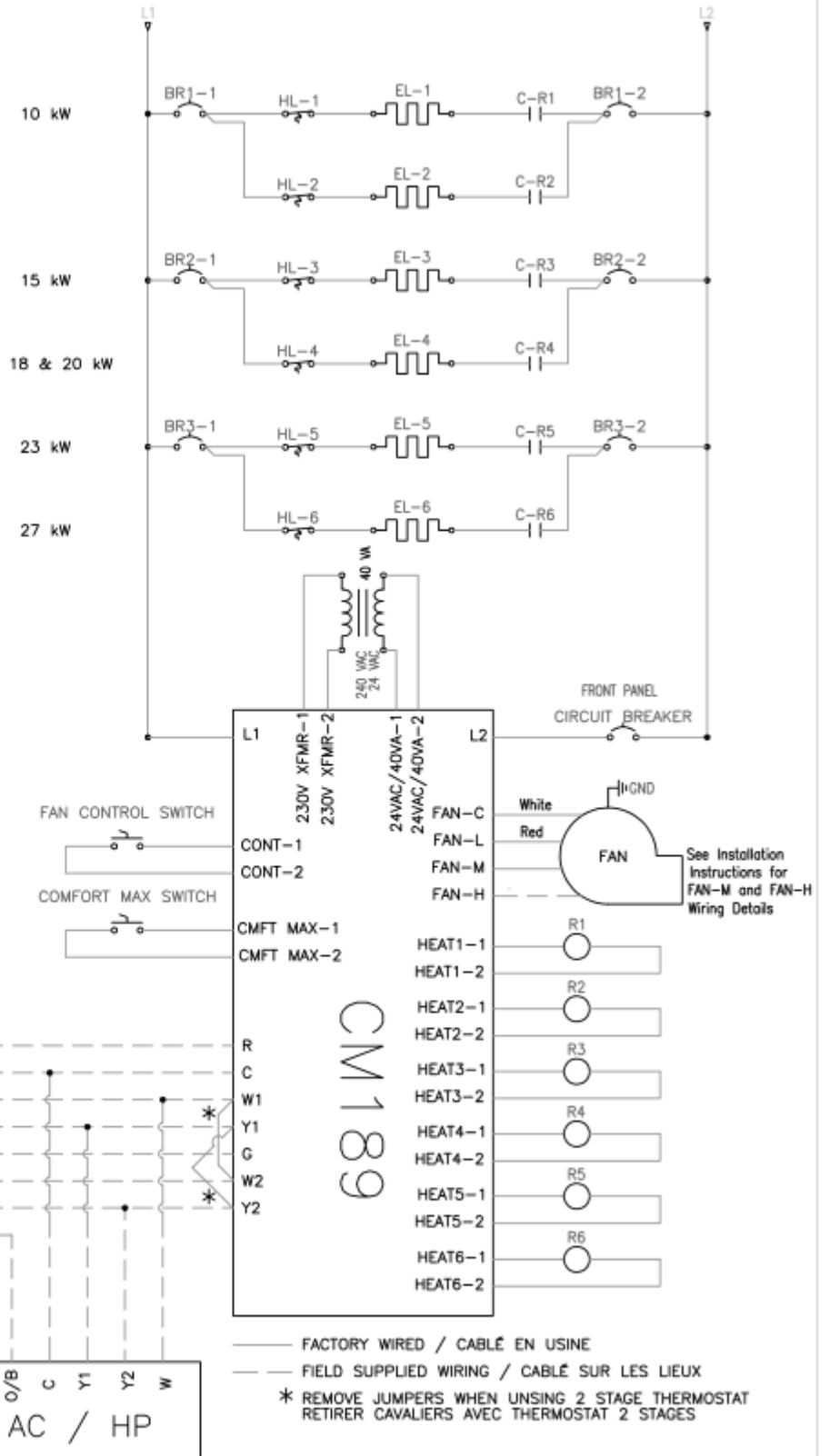
Furnace Model	Wire #1	Wire #2	Wire #3	Wire #4
KHE-01-G010-03	BLUE - MEDIUM	BLACK - HIGH	N/A	N/A
KHE-01-G015-03	BLUE - MEDIUM	BLACK - HIGH	N/A	N/A
KHE-01-G018-03	BLUE - MEDIUM	BLACK - HIGH	N/A	N/A
KHE-01-G020-03	BLUE - MEDIUM	BLACK - HIGH	N/A	N/A
KHE-01-G023-03	BLUE - MEDIUM	BLACK - HIGH	N/A	N/A
KHE-01-G027-05	BLUE - MEDIUM	BLACK - HIGH	UNUSED	N/A
KHE-01-G010-H3	ORANGE - MED LOW	BLACK - HIGH	UNUSED	UNUSED
KHE-01-G015-H3	ORANGE - MED LOW	BLACK - HIGH	UNUSED	UNUSED
KHE-01-G018-H3	BLUE - MEDIUM	BLACK - HIGH	UNUSED	UNUSED
KHE-01-G020-H3	BLUE - MEDIUM	BLACK - HIGH	UNUSED	UNUSED
KHE-01-G023-H3	BLUE - MEDIUM	BLACK - HIGH	UNUSED	UNUSED
KHE-01-G027-H5	YELLOW - MED HIGH	BLACK - HIGH	UNUSED	UNUSED

To increase airflow under W2 condition:

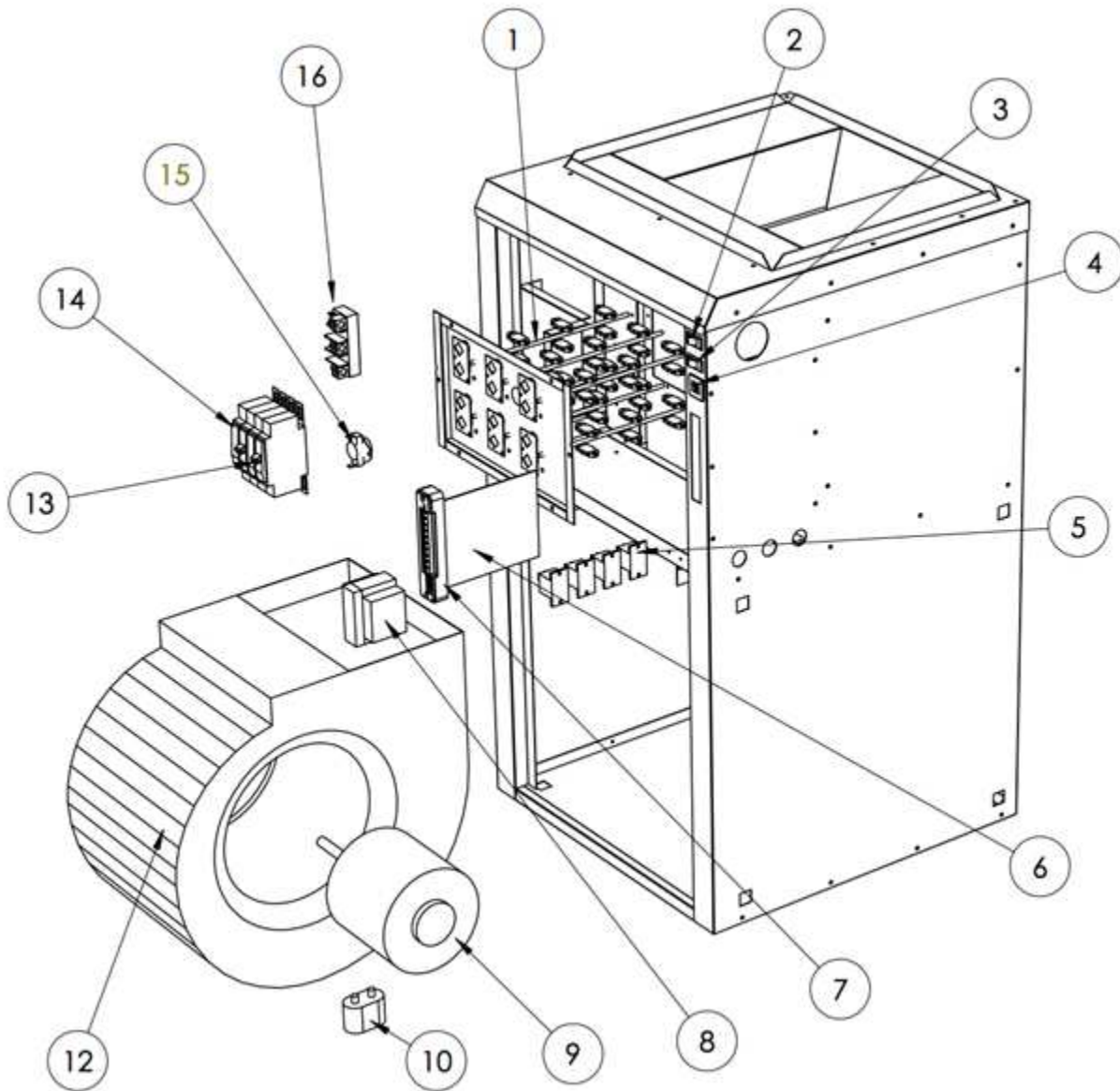
1. Remove wire #1 from FAN-M terminal and make sure that wire #1 is properly electrically insulated;
2. Install a jumper "J" between FAN-H and FAN-M;
3. Connect the BLACK - HIGH motor wire to either the FAN-M or FAN-H terminals.

Wiring Diagram – PSC & Ecotech Rescue Motors Diagramme Électrique – Moteurs PSC & Ecotech Rescue

ELEMENT PLATE PLAQUE DES ÉLÉMENTS		
		
Furnace Rating / Puissance Fournaise	Element Location / Position des Éléments	Element Rating / Puissance des Éléments
10 kW	1,3	5,5
15 kW	1,2,3	5,5,5
18 kW	1,2,3,5	5,4,5,4
20 kW	1,2,3,5	5,5,5,5
23 kW	1,2,3,4,6	5,5,5,4,4
27 kW	1,2,3,4,5,6	5,5,5,4,4,4



10.0 EXPLODED VIEW KHE (spare parts)



ITEM NO	PART NUMBER	DESCRIPTION
1	6EF-FE-04KW-00, 6EF-FE-05KW-00	4KW ELEMENT C/W #10 STUD CON & NUT 5KW ELEMENT C/W #10 STUD CON & NUT
2	4SW-00-RA90-10	ROCKER SWITCH SP/ST 15AMP MARKED ON/OFF
3	4SW-00-RA90-10	ROCKER SWITCH SP/ST 15AMP MARKED ON/OFF
4	6EF-CI-BRKS-00	16A THERMAL CIRCUIT BREAKER T9-611P-16A
5	6EF-RY-DC24-00	30A 24VDC SPST MINI POWER RELAY
6	6EF-CB-SE10-00	KHE CONTROL BOARD CM189 V1 18
7	6EF-CV-R940-00	CONTROL COVER WHITE NYLON 1/2X1X6
8	6EF-TF-230V-00	230/24/40VA TRANSFORMER CLASS 2 INH.LIM
9	6EF-33-3SPD-00 6EF-75-4SPD-00 3BM-50-ECM0-03 3BM-75-4SDD-02	1/3HP 230V 1075/3SP DD MOTOR 3/4HP 208-230 1PH, 4SPD MOTOR EMERSON #5846A (6.1) MOTOR M055CYA0372012B NIDEC 1/2 HP DD ECM MOTOR M055CWT0366012B NIDEC ECOTECH 3/4 HP DD ECM
10	4CA-00-705M-00 4CA-00-156M-2B	CAPACITOR 7.5uF 370VAC 70C 60Hz CAPACITOR 15.0uF 370VAC 70C 60Hz
11	1SB-10-BRKT-00 1SB-12-BRKT-00	10" BLOWER BELLY BAND 12" BLOWER BELLY BAND
12	3BU-10-08DD-00 3BU-12-00DD-00	G10 X 8" DD BLOWER 9010582 GT12 X 10" DD BLOWER 9010236
13	6EF-BR-KR50-00	50 AMP BRKR, DOUBLE POLE, BRACKET MOUNT
14	6EF-BR-KR25-00	25 AMP BRKR, DOUBLE POLE, BRACKET MOUNT
15	6EF-SD-MCON-00	THERMAL SNAP DISC OPEN@120 CLOSE@100DEG
16	9EL-AE-0200-90	ELECTRIC BLOCK 3 POSITIONS 300V, 120AMP



GRANBY FURNACES INC.

PO Box 637
12118 Hwy 209
Parrsboro, Nova Scotia, Canada
B0M 1S0

www.granbyindustries.com

Thank you for choosing Granby