

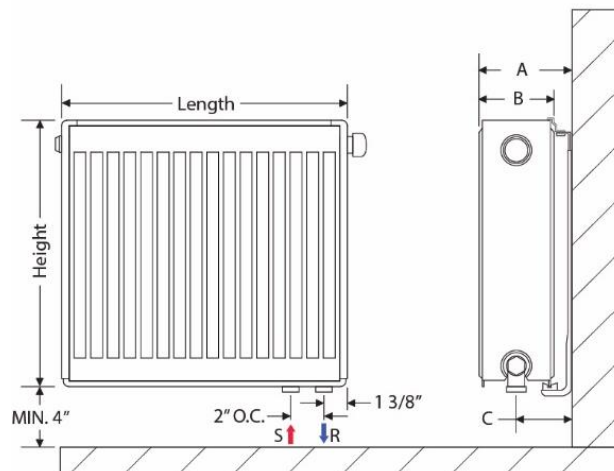
PENSOTTI Type 21 “Single” & Type 22 “Double” Panel Radiator Submittal Sheet



Specifications

- Suitable for closed loop, hot water (hydronic) heating systems. Radiators are not compatible with steam systems.
- Maximum operating temperature 266°F (130°C).
- Maximum working pressure 145 psi (10bar).
- Factory tested to 188 psi (13 bar).
- Constructed from .044" (1.1 mm) steel with convectors welded onto water channels.
- High output 25mm water panels
- White (color code RAL 9010) powdered coat finish.
- Factory fitted top grilles and side panels.
- Factory installed air bleeder and thermostatic insert (flow setter).
- Radiators may be equipped with a thermostatic valve head that is mounted to the thermostatic insert, allowing for further individual radiator temperature control.
- Radiators are "Ventil" style. They may be reversed for either right or left piping connections.
- Radiators must be installed a minimum of 4" (100mm) off the finished floor for proper output.
- Connection size is ½" BSP.
- Optional isolation valves, available in straight or angled configurations, are recommended for each radiator.

Dimensional Data



Radiator Model	Height (inches)	A	B	C
Single	20 24	3 3/4"	2 5/8"	2 1/2" o.c.
Double	12 16 20 24 36	5 1/4"	4 1/8"	3 1/4" o.c.

Type 21 “Single” Performance Data

Order No.	Height		Length		Depth		BTU Output (Avg Water Temp)**			Weight		Water Content	
	in*	mm	in*	mm	in*	mm	180°F	140°F	110°F	lbs	kg	gal	liters
DD20.16SNG	20	500	16	400	2.5	66	2171	1198	580	22	10	0.63	2.4
DD20.20SNG	20	500	20	500	2.5	66	2714	1497	725	28	13	0.78	3.0
DD20.24SNG	20	500	24	600	2.5	66	3256	1797	870	33	15	0.94	3.6
DD20.28SNG	20	500	28	700	2.5	66	3799	2096	1015	38	17	1.10	4.2
DD20.32SNG	20	500	32	800	2.5	66	4342	2396	1160	44	20	1.25	4.7
DD20.36SNG	20	500	36	900	2.5	66	4884	2695	1305	49	22	1.41	5.3
DD20.40SNG	20	500	40	1000	2.5	66	5427	2994	1450	54	24	1.57	5.9
DD20.48SNG	20	500	48	1200	2.5	66	6512	3593	1740	65	29	1.88	7.1
DD20.56SNG	20	500	56	1400	2.5	66	7598	4192	2030	75	34	2.19	8.3
DD20.64SNG	20	500	64	1600	2.5	66	8683	4791	2320	86	39	2.51	9.5
DD20.72SNG	20	500	72	1800	2.5	66	9769	5390	2610	97	44	2.82	10.7
DD24.16SNG	24	500	16	400	2.5	66	2497	1373	662	26	12	0.72	2.7
DD24.20SNG	24	500	20	500	2.5	66	3122	1717	828	32	15	0.90	3.4
DD24.24SNG	24	500	24	600	2.5	66	3746	2060	993	38	17	1.08	4.1
DD24.28SNG	24	500	28	700	2.5	66	4370	2403	1159	44	20	1.26	4.8
DD24.32SNG	24	500	32	800	2.5	66	4995	2747	1324	50	23	1.44	5.5
DD24.36SNG	24	500	36	900	2.5	66	5619	3090	1490	57	26	1.62	6.1
DD24.40SNG	24	500	40	1000	2.5	66	6243	3433	1656	63	29	1.80	6.8
DD24.44SNG	24	500	44	1100	2.5	66	6868	3777	1821	69	31	1.98	7.5
DD24.48SNG	24	500	48	1200	2.5	66	7492	4120	1987	75	34	2.16	8.2
DD24.56SNG	24	500	56	1400	2.5	66	8741	4807	2318	87	39	2.52	9.5
DD24.64SNG	24	500	64	1600	2.5	66	9989	5494	2649	100	45	2.88	10.9
DD24.72SNG	24	500	72	1800	2.5	66	11238	6180	2980	112	51	3.24	12.3

*Dimensions are nominal | **BTU calculations are based on an 24° ΔT with a room temperature of 68°F

Type 22 “Double” Performance Data

Order No.	Height		Length		Depth		BTU Output (Avg Water Temp)**			Weight		Water Content	
	in*	mm	in*	mm	in*	mm	180°F	140°F	110°F	lbs	kg	gal	liters
DD12.16DBL	12	300	16	400	4	105	1934	1068	519	17	8	0.47	1.8
DD12.24DBL	12	300	24	600	4	105	2900	1600	781	24	11	0.70	2.6
DD12.32DBL	12	300	32	800	4	105	3866	2133	1041	31	14	0.93	3.5
DD12.40DBL	12	300	40	1000	4	105	4831	2661	1300	39	18	1.17	4.4
DD12.48DBL	12	300	48	1200	4	105	5800	3200	1559	46	21	1.40	5.3
DD12.56DBL	12	300	56	1400	4	105	6766	3733	1819	53	24	1.63	6.2
DD12.64DBL	12	300	64	1600	4	105	7732	4265	2081	60	27	1.87	7.1
DD16.16DBL	16	400	16	400	4	105	2418	1331	648	23	10	0.55	2.1
DD16.20DBL	16	400	20	500	4	105	3022	1665	812	28	13	0.68	2.6
DD16.24DBL	16	400	24	600	4	105	3626	1999	972	33	15	0.82	3.1
DD16.28DBL	16	400	28	700	4	105	4231	2330	1136	38	17	0.96	3.6
DD16.32DBL	16	400	32	800	4	105	4835	2665	1297	43	20	1.09	4.1
DD16.36DBL	16	400	36	900	4	105	5440	2996	1460	48	22	1.23	4.7
DD16.40DBL	16	400	40	1000	4	105	6044	3330	1621	52	24	1.37	5.2
DD16.44DBL	16	400	44	1100	4	105	6648	3665	1784	57	26	1.50	5.7
DD16.48DBL	16	400	48	1200	4	105	7253	3995	1945	63	29	1.64	6.2

Type 22 “Double” Performance Data

Order No.	Height		Length		Depth		BTU Output (Avg Water Temp)**			Weight		Water Content	
	in*	mm	in*	mm	in*	mm	180°F	140°F	110°F	lbs	kg	gal	liters
DD16.56DBL	16	400	56	1400	4	105	8417	4668	2274	75	34	1.91	7.2
DD16.64DBL	16	400	64	1600	4	105	9620	5334	2599	85	39	2.19	8.3
DD16.72DBL	16	400	72	1800	4	105	10822	6000	2923	96	44	2.46	9.3
DD20.16DBL	20	500	16	400	4	105	2876	1583	771	28	13	0.63	2.4
DD20.20DBL	20	500	20	500	4	105	3593	1979	962	34	15	0.78	3.0
DD20.24DBL	20	500	24	600	4	105	4313	2375	1153	40	18	0.94	3.6
DD20.28DBL	20	500	28	700	4	105	5033	2771	1347	46	21	1.10	4.2
DD20.32DBL	20	500	32	800	4	105	5749	3166	1539	53	24	1.25	4.7
DD20.36DBL	20	500	36	900	4	105	6469	3562	1733	58	26	1.41	5.3
DD20.40DBL	20	500	40	1000	4	105	7186	3958	1924	64	29	1.57	5.9
DD20.44DBL	20	500	44	1100	4	105	7906	4354	2115	71	32	1.72	6.5
DD20.48DBL	20	500	48	1200	4	105	8626	4746	2310	76	34	1.88	7.1
DD20.56DBL	20	500	56	1400	4	105	10013	5546	2698	91	41	2.19	8.3
DD20.64DBL	20	500	64	1600	4	105	11440	6335	3080	105	48	2.51	9.5
DD20.72DBL	20	500	72	1800	4	105	12871	7127	3466	116	53	2.82	10.7
DD24.16DBL	24	600	16	400	4	105	3310	1819	884	31	14	0.72	2.7
DD24.20DBL	24	600	20	500	4	105	4135	2276	1105	40	18	0.90	3.4
DD24.24DBL	24	600	24	600	4	105	4964	2730	1327	48	22	1.08	4.1
DD24.28DBL	24	600	28	700	4	105	5790	3183	1546	56	25	1.26	4.8
DD24.32DBL	24	600	32	800	4	105	6619	3641	1767	66	30	1.44	5.5
DD24.36DBL	24	600	36	900	4	105	7445	4094	1989	75	34	1.62	6.1
DD24.40DBL	24	600	40	1000	4	105	8270	4548	2211	81	37	1.80	6.8
DD24.44DBL	24	600	44	1100	4	105	9100	5002	2429	89	40	1.98	7.5
DD24.48DBL	24	600	48	1200	4	105	9926	5459	2651	97	44	2.16	8.2
DD24.56DBL	24	600	56	1400	4	105	11580	6367	3095	114	52	2.52	9.5
DD24.64DBL	24	600	64	1600	4	105	13235	7278	3535	130	59	2.88	10.9
DD24.72DBL	24	600	72	1800	4	105	14890	8190	3978	149	68	3.24	12.3
DD36.16DBL	36	900	16	400	4	105	4541	2457	1170	48	22	0.97	3.7
DD36.20DBL	36	900	20	500	4	105	5678	3071	1464	56	25	1.22	4.6
DD36.24DBL	36	900	24	600	4	105	6814	3685	1757	72	33	1.46	5.5
DD36.32DBL	36	900	32	800	4	105	9083	4913	2341	88	40	1.95	7.4

*Dimensions are nominal | **BTU calculations are based on a 24° ΔT with a room temperature of 68°F

DISCLAIMER

Granby Heating Products, LLC . makes no warranty or representation, expressed or implied, with respect to the accuracy, completeness, or usefulness of this information, nor assumes any liability with respect to the use of any information contained within this document.

Granby Heating Products, LLC reserves the right to make changes without notice.