

DISTINCTIVE
DESIGNER SERIES

PANEL RADIATORS

BASEBOARD RADIATORS

FLAT TUBE RADIATORS

TOWEL BAR WARMERS

RADIATORS



- » Space Saving Design
- » Quiet , Comfortable Heating
- » Efficient Heat Transfer
- » Variety of Sizes & Styles
- » 10 Year Radiator Warranty

SCAN TO
DOWNLOAD OUR
FREE RADIATOR
SELECTOR APP!



DOUBLE PANEL RADIATORS

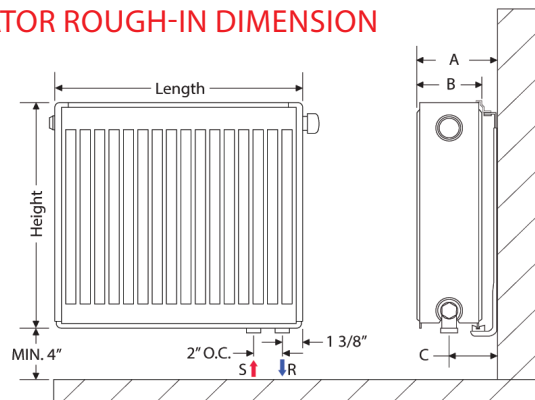
TECHNICAL INFORMATION

Order No.	Height (in.)	Length (in.)	Baseboard Equivalent**	BTU Output (Avg Water Temp)			Weight (lbs)
				180°F	140°F	110°F	
DD12.16DBL	12	16	3.3'	1934	1068	519	17
DD12.24DBL		24	5.0'	2900	1600	781	24
DD12.32DBL		32	6.7'	3866	2133	1041	31
DD12.40DBL		40	8.3'	4831	2661	1300	39
DD12.48DBL		48	10.0'	5800	3200	1559	46
DD12.56DBL		56	11.7'	6766	3733	1819	53
DD12.64DBL		64	13.3'	7732	4265	2081	60
DD16.16DBL	16	16	4.2'	2418	1331	648	23
DD16.20DBL		20	5.2'	3022	1665	812	28
DD16.24DBL		24	6.3'	3626	1999	972	33
DD16.28DBL		28	7.3'	4231	2330	1136	38
DD16.32DBL		32	8.3'	4835	2665	1297	43
DD16.36DBL		36	9.4'	5440	2996	1460	48
DD16.40DBL		40	10.4'	6044	3330	1621	52
DD16.44DBL		44	11.5'	6648	3665	1784	57
DD16.48DBL		48	12.5'	7253	3995	1945	63
DD16.56DBL		56	14.5'	8417	4668	2274	75
DD16.64DBL	64	16.6'	9620	5334	2599	85	
DD16.72DBL	72	18.7'	10822	6000	2923	96	
DD20.16DBL	20	16	5.0'	2876	1583	771	28
DD20.20DBL		20	6.2'	3593	1979	962	34
DD20.24DBL		24	7.4'	4313	2375	1153	40
DD20.28DBL		28	8.7'	5033	2771	1347	46
DD20.32DBL		32	9.9'	5749	3166	1539	53
DD20.36DBL		36	11.2'	6469	3562	1733	58
DD20.40DBL		40	12.4'	7186	3958	1924	64
DD20.44DBL		44	13.6'	7906	4354	2115	71
DD20.48DBL		48	14.9'	8626	4746	2310	76
DD20.56DBL		56	17.3'	10013	5546	2698	91
DD20.64DBL	64	19.7'	11440	6335	3080	105	
DD20.72DBL	72	22.2'	12871	7127	3466	116	

** Baseboard equivalent is calculated using an average water temp of 180°F @ 580 BTU per ft. of baseboard.

Order No.	Height (in.)	Length (in.)	Baseboard Equivalent**	BTU Output (Avg Water Temp)			Weight (lbs)
				180°F	140°F	110°F	
DD24.16DBL	24	16	5.7'	3310	1819	884	31
DD24.20DBL		20	7.1'	4135	2276	1105	40
DD24.24DBL		24	8.6'	4964	2730	1327	48
DD24.28DBL		28	10.0'	5790	3183	1546	56
DD24.32DBL		32	11.4'	6619	3641	1767	66
DD24.36DBL		36	12.8'	7445	4094	1989	75
DD24.40DBL		40	14.3'	8270	4548	2211	81
DD24.44DBL		44	15.7'	9100	5002	2429	89
DD24.48DBL		48	17.1'	9926	5459	2651	97
DD24.56DBL		56	20.0'	11580	6367	3095	114
DD24.64DBL	64	22.8'	13235	7278	3535	130	
DD24.72DBL	72	25.7'	14890	8190	3978	149	
DD36.16DBL	36	16	7.8'	4541	2457	1170	48
DD36.20DBL		20	9.8'	5678	3071	1464	56
DD36.24DBL		24	11.7'	6814	3685	1757	72
DD36.32DBL		32	15.7'	9083	4913	2341	88

DOUBLE & SINGLE PANEL RADIATOR ROUGH-IN DIMENSION



Radiator Model	Height (inches)	A	B	C
Single	20 24	3 3/4"	2 5/8"	2 1/2" o.c.
Double	12 16 20 24 36	5 1/4"	4 1/8"	3 1/4" o.c.

Pensotti Panel Radiators combine the comfort of radiant heat with an elegant contemporary design. These attractive radiators have been providing unsurpassed comfort and efficiency in European homes for more than 50 years. Because they are extremely versatile they can be used as a primary heating system, a supplement to a radiant floor system, or in conjunction with traditional heating sources.

Virtually silent in operation, Pensotti Panel Radiators eliminate the noises associated with other types of heating systems. Unlike conventional baseboard which provides only convective heat, panel radiators emit both radiant and convective heat to produce a blanket of unequalled warmth.

Wall mounted and uniquely designed, Pensotti Panel Radiators are durable, easy to clean and reduce the areas where household dirt and dust might collect. Requiring just one quarter the amount of wall space when compared to conventional baseboard, more flexibility is allowed in room design and furniture placement.

SINGLE PANEL RADIATORS

TECHNICAL INFORMATION

Order No.	Height (in.)	Length (in.)	Baseboard Equivalent**	BTU Output (Avg Water Temp)			Weight (lbs)
				180°F	140°F	110°F	
DD20.16SNG	20	16	3.7'	2171	1198	580	22
DD20.20SNG		20	4.7'	2714	1497	725	28
DD20.24SNG		24	5.6'	3256	1797	870	33
DD20.28SNG		28	6.5'	3799	2096	1015	38
DD20.32SNG		32	7.5'	4342	2396	1160	44
DD20.36SNG		36	8.4'	4884	2695	1305	49
DD20.40SNG		40	9.4'	5427	2994	1450	54
DD20.48SNG		48	11.2'	6512	3593	1740	65
DD20.56SNG		56	13.1'	7598	4192	2030	75
DD20.64SNG		64	15'	8683	4791	2320	86
DD20.72SNG		72	16.8'	9769	5390	2610	97
DD24.16SNG		24	16	4.3'	2497	1373	662
DD24.20SNG	20		5.4'	3122	1717	828	32
DD24.24SNG	24		6.5'	3746	2060	993	38
DD24.28SNG	28		7.5'	4370	2403	1159	44
DD24.32SNG	32		8.6'	4995	2747	1324	50
DD24.36SNG	36		9.7'	5619	3090	1490	57
DD24.40SNG	40		10.8'	6243	3433	1656	63
DD24.44SNG	44		11.8'	6868	3777	1821	69
DD24.48SNG	48		12.9'	7492	4120	1987	75
DD24.56SNG	56		15.1'	8741	4807	2318	87
DD24.64SNG	64		17.2'	9989	5494	2649	100
DD24.72SNG	72		19.4'	11238	6180	2980	112

** Baseboard equivalent is calculated using an average water temp of 180°F @ 580 BTU per ft. of baseboard.

Four different radiator valves are available to make system design, installation and maintenance quick and easy



Pensotti Snap-Grip mounting brackets make radiator installation and removal a snap

- Installation in closed-loop hot water systems only
- Max operating temperature - 250°F
- Max operating pressure - 145 psi
- Not for use in steam systems
- Radiator can be turned 180° to allow for either left or right hand pipe connections

BASEBOARD RADIATORS

TECHNICAL INFORMATION



Order No.	Tubes	Height (in.)	Length (in.)	Depth (in.)	BTU Output (Avg Water Temp)			Weight (lbs)
					180°F	140°F	120°F	
H11-02-1112-24	2	6	24	2	1112	776	389	10
H11-02-1668-36		6	36	2	1668	1164	584	15
H11-02-2224-48		6	48	2	2224	1552	779	19
H11-02-2780-60		6	60	2	2780	1940	973	22
H11-02-3336-72		6	72	2	3336	2328	1168	27
H11-02-3892-84		6	84	2	3892	2716	1363	30
H11-02-4448-96		6	96	2	4448	3104	1557	33
H11-03-1429-24	3	9	24	2	1429	997	500	14
H11-03-2144-36		9	36	2	2144	1496	750	19
H11-03-2859-48		9	48	2	2859	1995	1000	25
H11-03-3573-60		9	60	2	3573	2493	1250	30
H11-03-4288-72		9	72	2	4288	2992	1500	36
H11-03-5003-84		9	84	2	5003	3491	1750	42
H11-03-5717-96		9	96	2	5717	3989	2000	48

FLAT TUBE RADIATORS

TECHNICAL INFORMATION



Order No.	TYPE 22 HORIZONTAL								
	Tubes	Height (in.)	Length (in.)	Depth (in.)	Baseboard Equivalent**	BTU Output (Avg Water Temp)			Weight (lbs)
						180°F	140°F	110°F	
H22-12X16	4	12	16	3.75"	2.9'	1696	996	519	17
H22-12X24		12	24	3.75"	4.3'	2542	1491	778	25
H22-12X32		12	32	3.75"	5.8'	3388	1989	1041	33
H22-12X40		12	39	3.75"	8.9'	5207	2156	737	40
H22-17X16	6	17	16	3.75"	4.2'	2412	1402	723	26
H22-17X24		17	24	3.75"	6.2'	3620	2105	1052	37
H22-17X32		17	32	3.75"	8.3'	4825	2805	1447	49
H22-17X40		17	39	3.75"	10.4'	6016	3511	1819	60
H22-23X16	8	23	16	3.75"	5.1'	2982	1716	874	34
H22-23X24		23	24	3.75"	7.7'	4473	2573	1310	50
H22-23X32		23	32	3.75"	10.3'	5964	3433	1815	65
H22-23X40		23	39	3.75"	12.9'	7493	4334	2225	80
H22-23X47		23	47	3.75"	15.5'	8991	5204	2672	96
H22-23X55		23	55	3.75"	18'	10489	6070	3115	111
H22-23X63		23	63	3.75"	20.7'	11987	6937	3562	126



Order No.	TYPE 20 VERTICAL								
	Tubes	Height (in.)	Length (in.)	Depth (in.)	Baseboard Equivalent**	BTU Output (Avg Water Temp)			Weight (lbs)
						180°F	140°F	110°F	
V20-48X12	4	47	12	2.25"	4.6'	2702	1491	723	35
V20-48X17	6	47	17	2.25"	7'	4050	2238	1085	52
V20-48X24	8	47	23	2.25"	9.3'	5401	2986	1447	70
V20-63X12	4	63	12	2.25"	6'	3456	1901	918	46
V20-63X17	6	63	17	2.25"	8.9'	5186	2853	1375	69
V20-63X24	8	63	23	2.25"	11.9'	6916	3805	1836	92
V20-63X29	10	63	29	2.25"	16.4'	9510	5231	2522	115

** Baseboard equivalent is calculated using an average water temp of 180°F @ 580 BTU per ft. of baseboard.

TOWEL BAR WARMERS

TECHNICAL INFORMATION

Order No.	Style	Length (in.)	Height (in.)	BTU Output*	Finish Color	Weight (lbs)
PTW24.30SW	Straight	24	30	1584	White	14
PTW24.48SW			48	2464		21
PTW24.60SW			60	3081		26
PTW24.72SW			72	3731		31
PTW24.30CW	Curved	24	30	1621	Chrome	14
PTW24.60CW			60	3126		26
PTW24.72CW			72	3775		31
PTW24.48CC			48	1714		21
PTW24.60CC			60	2139		26
PTW24.72CC			72	2556		31

* Based on an average water temp of 180°F

